

# *E9 205 Machine Learning for Signal Processing*

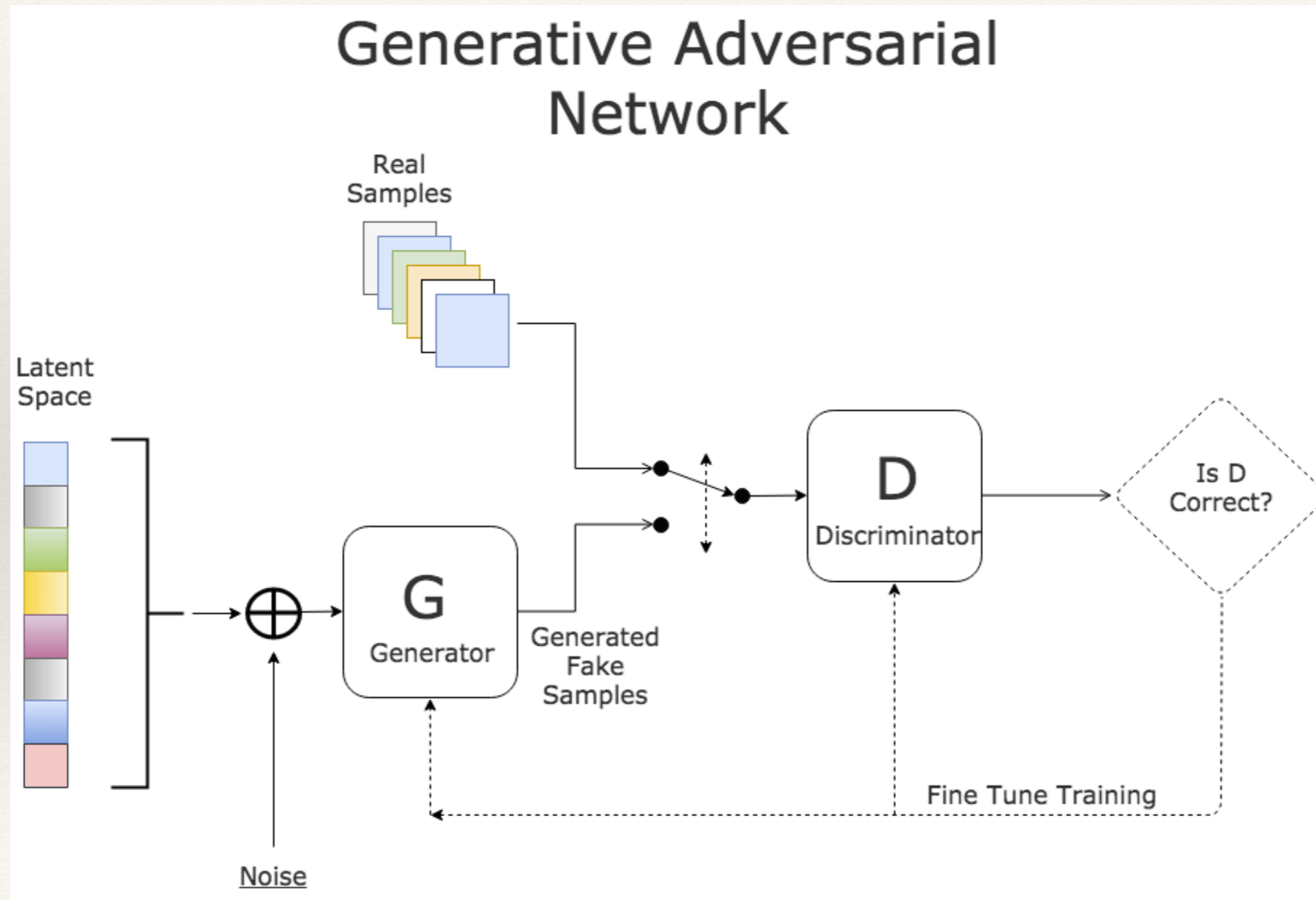
---

## **Generative Adversarial Networks & Attention in RNNs**

19-11-2018

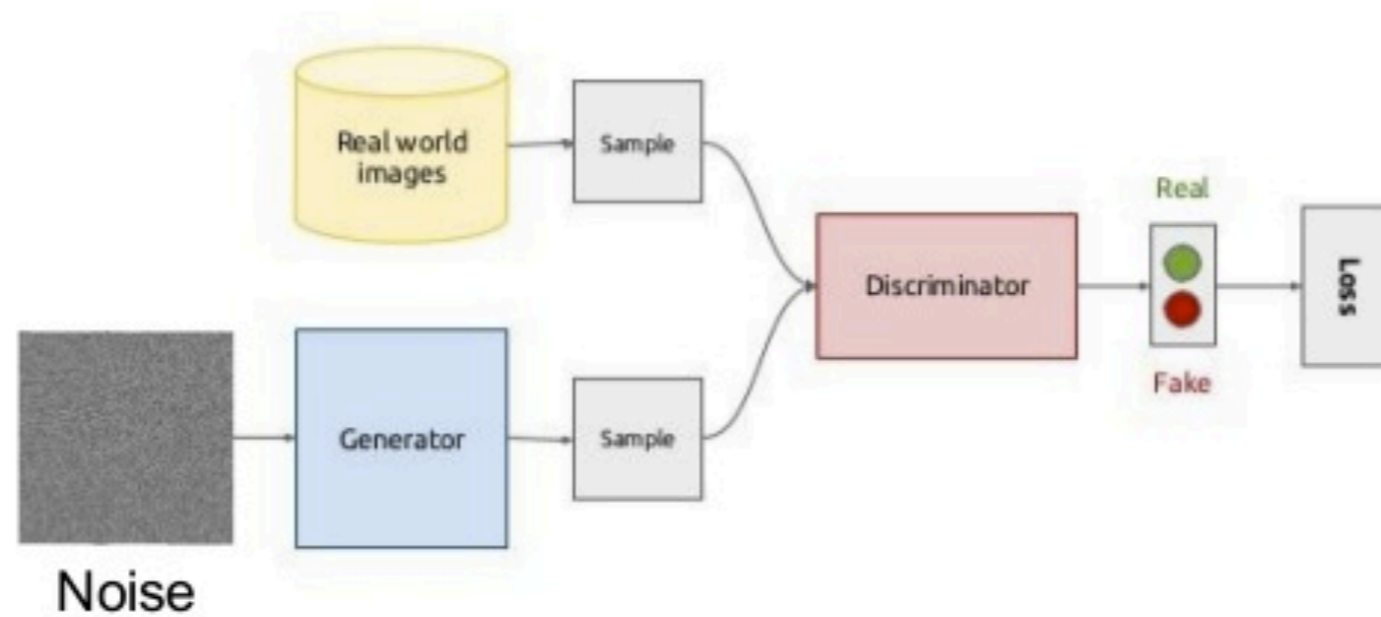
---

# GANs

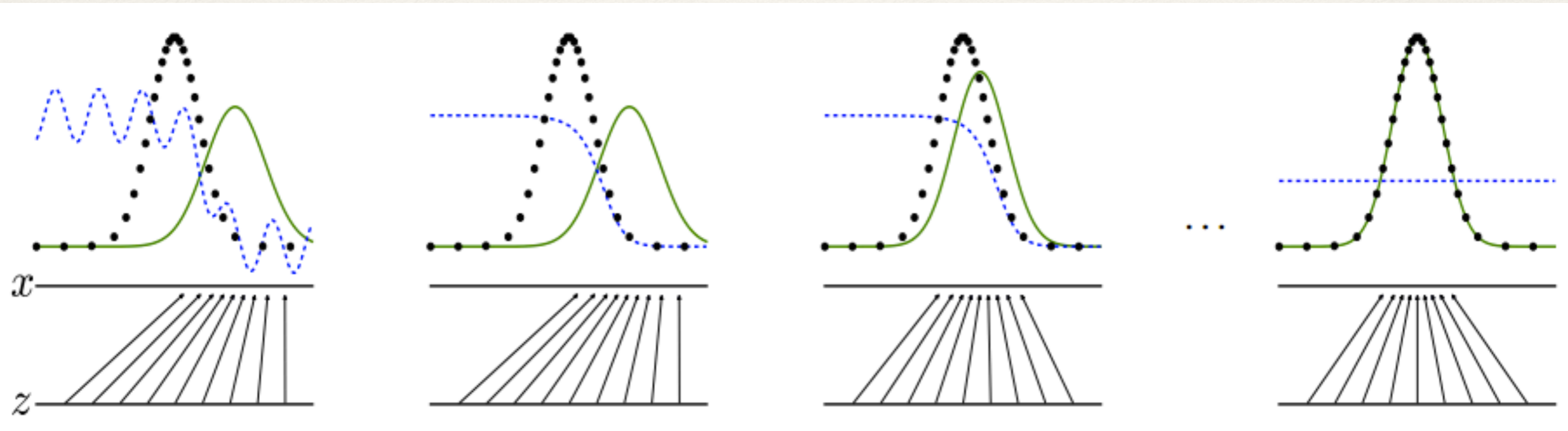


# GANs

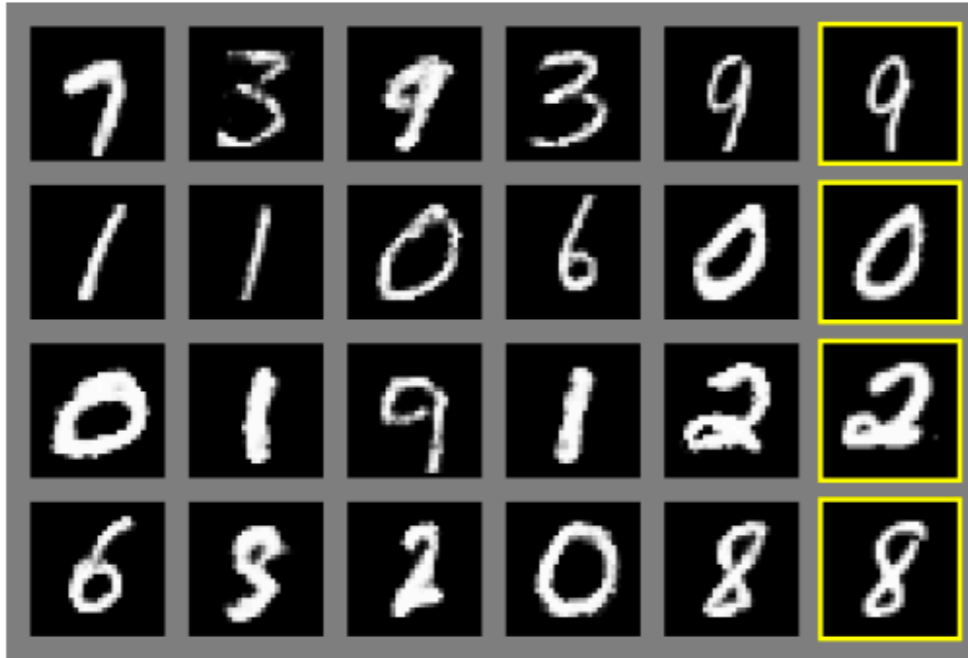
## Generative Adversarial Nets - Ian et al



# GANs



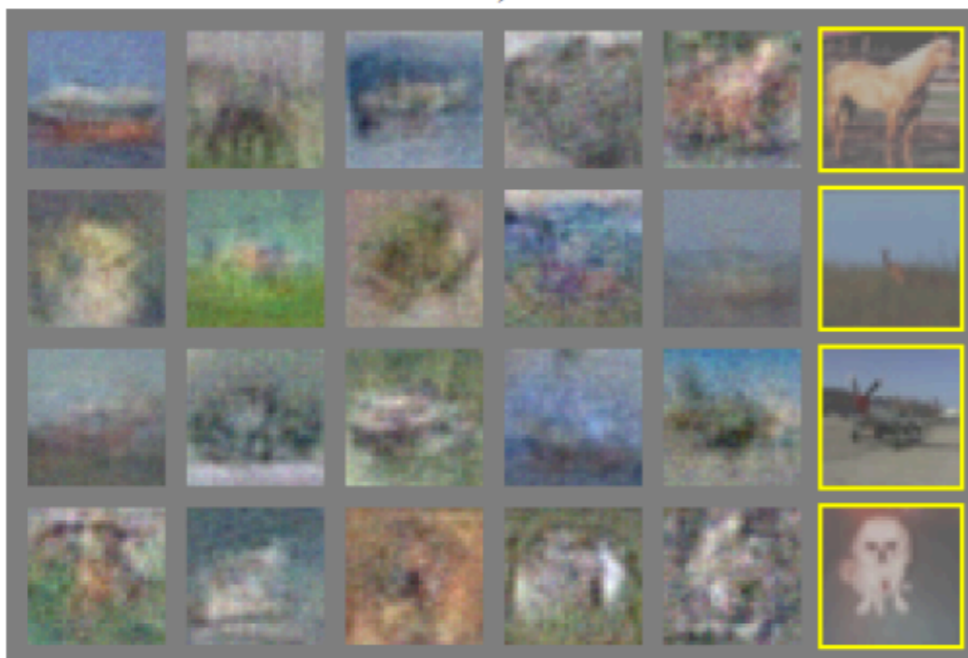
# GANs



a)



b)



c)



d)

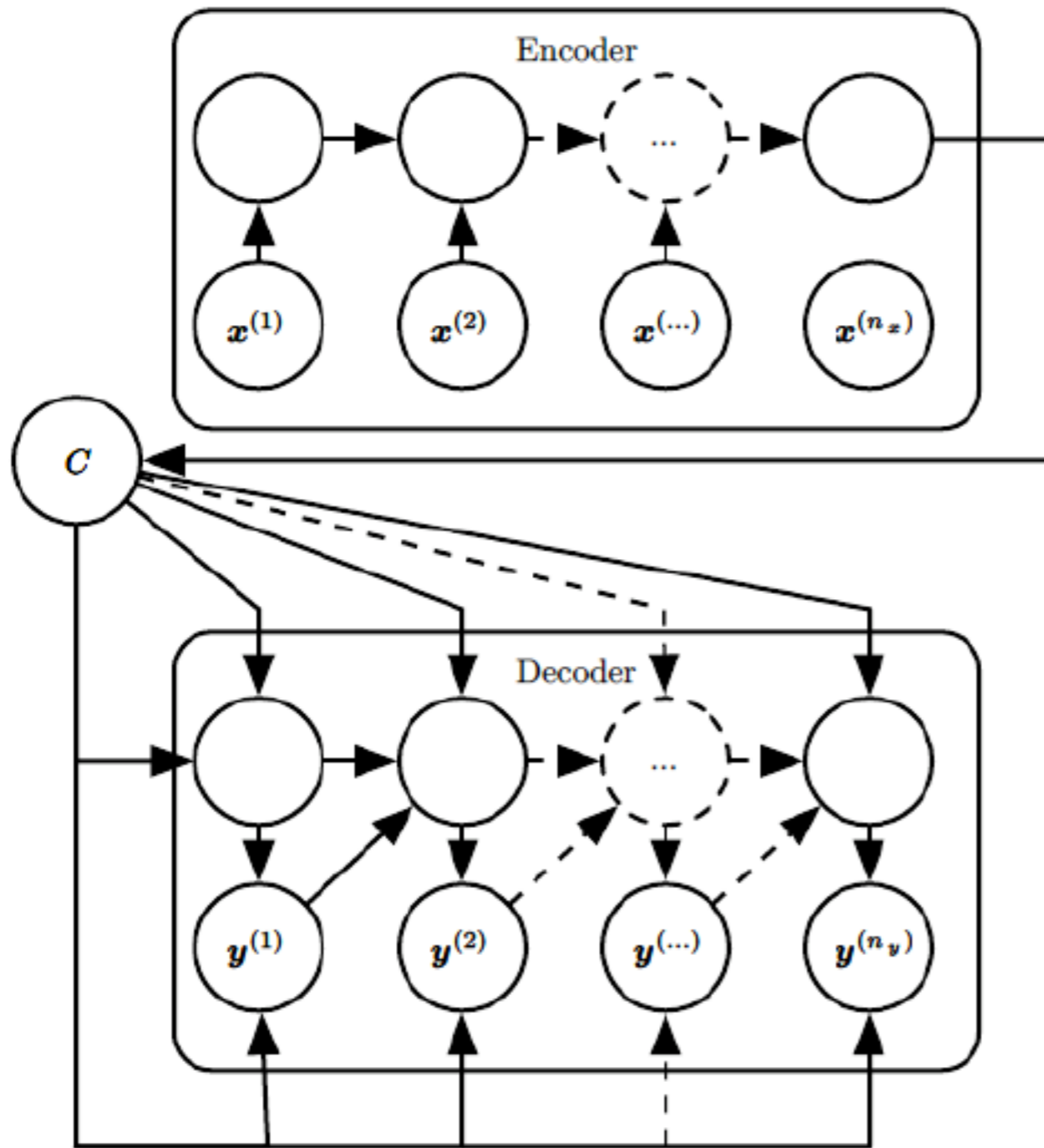
---

# GANs

---



# Recurrent Networks



**Sequence to  
Sequence  
Mapping Networks**





# Encoder - Decoder Networks with Attention

